



LINUO SOLAR 560W-580W

Topcon

Monocrystalline PV Module
LNTMH144P Series (182)



SMBB technology, higher component power



Guaranteed 0~+5W positive tolerance to ensure power output



Dual stage 100% EL Inspection



Lower power attenuation higher generation returns



Excellent PID resistance



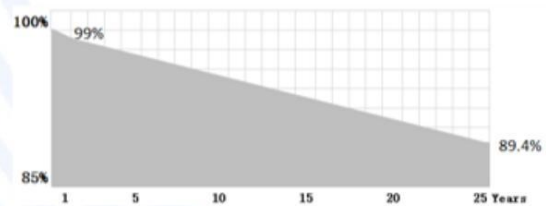
Reduced surface reflection and self-cleaning

Comprehensive Certificates

- IEC61215, IEC61730
- TUV, CE
- ISO9001: 2015
- ISO14001: 2015
- ISO45001: 2018



Superior Warranty



Shandong Linuo Solar Power Technology Co.,Ltd

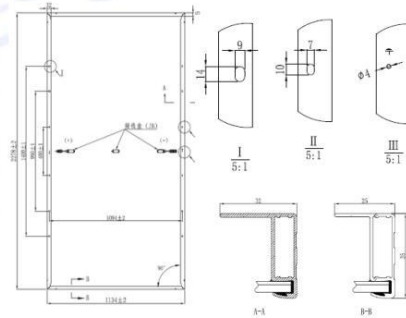
Add: No.30766 Jingshidong Road, Jinan Zone, CHINA(Shandong) Pilot Free Trade Zone



LINUO SOLAR LNTMH144P-560~580W

Mechanical Specifications @STC

Solar Cells:	Mono
Number of Cells:	144pcs
Module:	2278×1134×35mm
Weight:	27.5 kg±3%
Snow/Wind Load:	5400/2400 Pa
Thickness of Glass:	3.2mm
Junction Box:	IP68, 3 Diodes
Connector:	HTC-16, IP68
Length:	(+)250mm /(-)300mm(including connector)



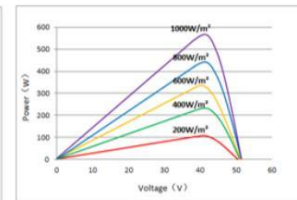
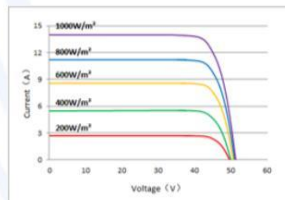
Electrical Specifications @STC

Pmax (W) 0~5W	Umpp (V)	Impp(A)	Uoc (V) ±3%	Isc(A) ±3%	Module Efficiency	Max System Voltage	Max Series Fuse
560	42.43	13.20	50.70	14.11	21.68%	1500V	25A
565	42.61	13.26	50.89	14.17	21.87%	1500V	25A
570	42.83	13.31	51.09	14.23	22.07%	1500V	25A
575	43.01	13.37	51.29	14.29	22.26%	1500V	25A
580	43.22	13.42	51.50	14.35	22.45%	1500V	25A

Temperature Parameter

Temperature Cycling Range:	-40°C ~ +85°C
Norminal Module Operating Temperature:	45±2 °C
Temperature Coefficient of Isc:	0.045%/°C
Temperature Coefficient of Voc :	-0.250%/°C
Temperature Coefficient of Pmax :	-0.290%/°C

I-V Curve LNTMH144P-580W



Packaging Configuration

Modules Per Pallet:	31pcs
Modules Per 40 ' HQ:	620pcs

Guarantee

12-year warranty on materials & workmanship
25-year linear power output warranty

※ Specifications subject to technical changes and tests, Linuo Power reserves the right of final interpretation.

Shandong Linuo Solar Power Technology Co.,Ltd
Add: No.30766 Jingshidong Road, Jinan Zone, CHINA(Shandong) Pilot Free Trade Zone
Web: <http://en.linuopv.com/>